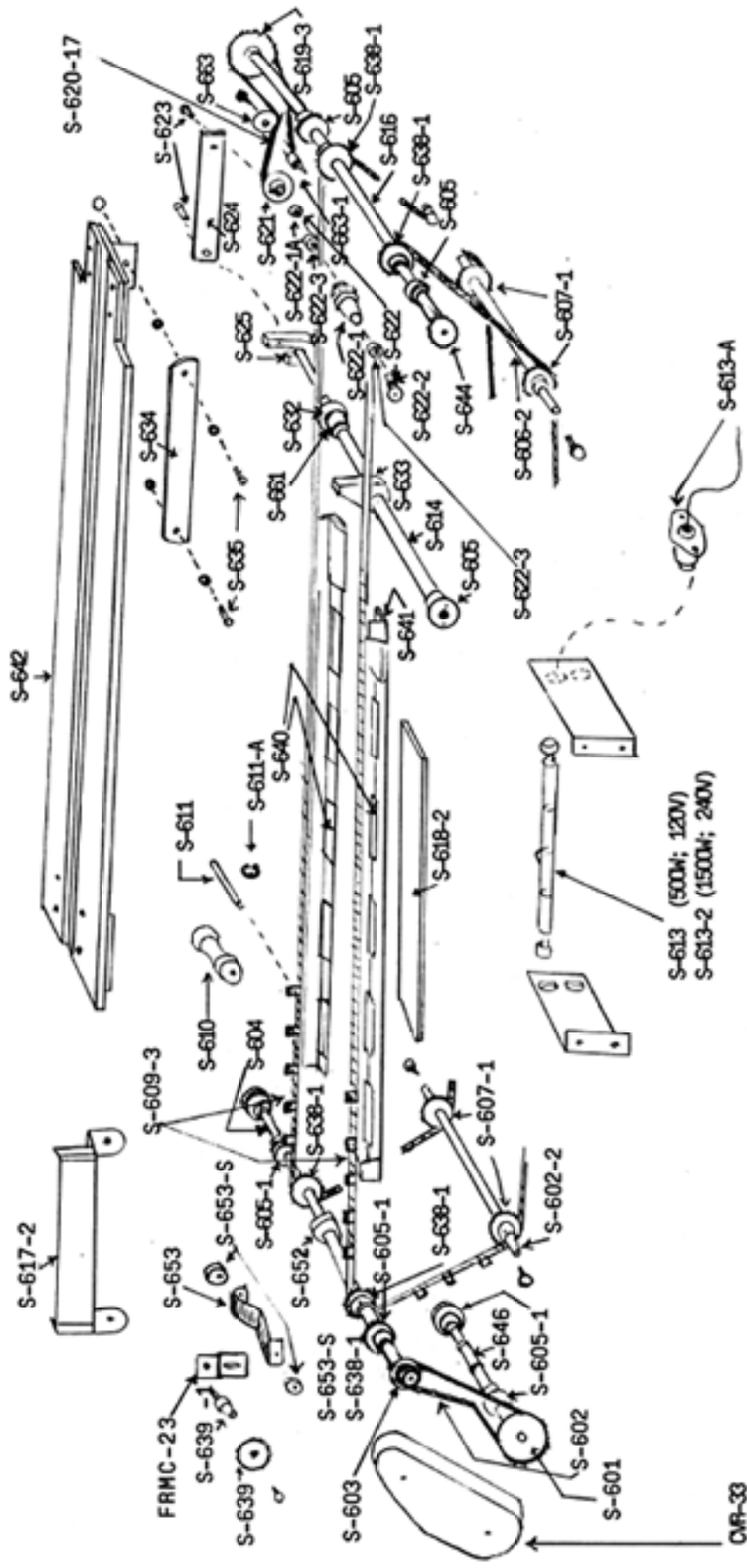


CANDLER



WINDING LIGHT FAN:
 S-627-2 (115V/60HZ)
 S-627-3 SP (220V/50HZ)

S-608-3 Spool Chain w/spools

CONNECTING LINKS

- S-602-1 #25 Chain
- S-602-2 #35 Chain
- S-602-2SS #40 Chain